

1 2 3 4 5 6 7 8

REV	LOCATIONS	DESCRIPTION	DATE	REVISER	APPD

A

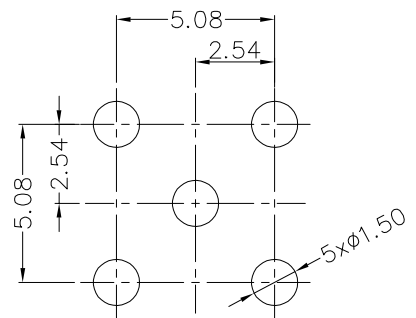
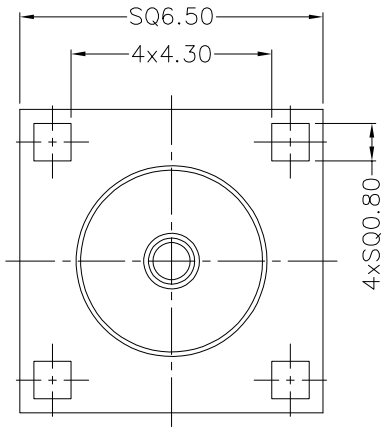
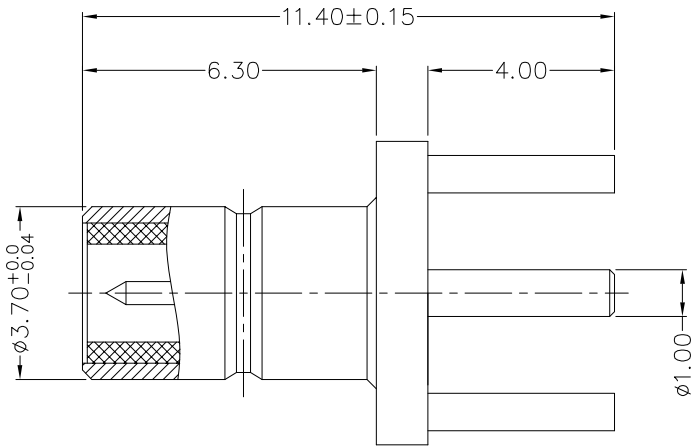
B

C

D

E

F



Recommended P.C.Board Layout
General tolerances: ±0.05

SPECIFICATIONS

Technical Parameters

- Impedance: 50Ω
- Frequency range: 0~3 GHz
- Voltage rating: 335V Max. r.m.s at sea level
- Dielectric withstand voltage: 1000V Min. r.m.s at sea level
- VSWR: 1.45 Max
- Temperature Range—Operating: -55°C~+125°C

Mechanical

Durability: 500 cycles

Material and Plating

- Body assembly: Brass, 0.1μm Gold plated
- Contact: Brass, 0.2μm Gold plated
- Insulator: PTFE (UL 94V-0), White

<p>THIRD ANGLE PROJECTION</p>	<p>GENERAL TOLERANCES (UNLESS SPECIFIED)</p>		<p>APPROVE BY FRANK</p>	<p>DATE 03/AUG/21</p>	<p>PART NO. F00SMB-J50P0SHD-01</p>	<p>ITEM NO. F00SMB</p>	<p>Leader Of Industry</p>		
	X. ±0.30	X.' ±5'	<p>CHECKED BY CHERRY</p>	<p>DATE 03/AUG/21</p>	<p>TITLE SMB Jack 180° Vertical For PCB</p>			<p>REV 0</p>	<p>SHEET NO. 1/1</p>
	X.X ±0.20	X.X' ±2'	<p>DRAWN BY MATT</p>	<p>DATE 03/AUG/21</p>	<p>THIS DRAWING CONTAINS INFORMATION THAT IS PROPRIETARY TO TXGA INDUSTRIAL ELECTRONICS(S.Z)CO.,LTD AND SHOULD NOT BE USED WITHOUT WRITTEN PERMISSION</p>				
<p>SCALE 1.5:1</p>	<p>SIZE A4</p>	X.XX ±0.15	X.XX' ±1'						
		X.XXX ±0.10	X.XXX' ±0.5'						

1 2 3 4 5 6 7 8